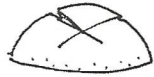


Name _____ Date _____

1. Match and complete the sentences.



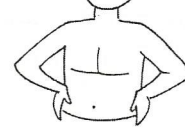
bread •

• blood



wine •

• body



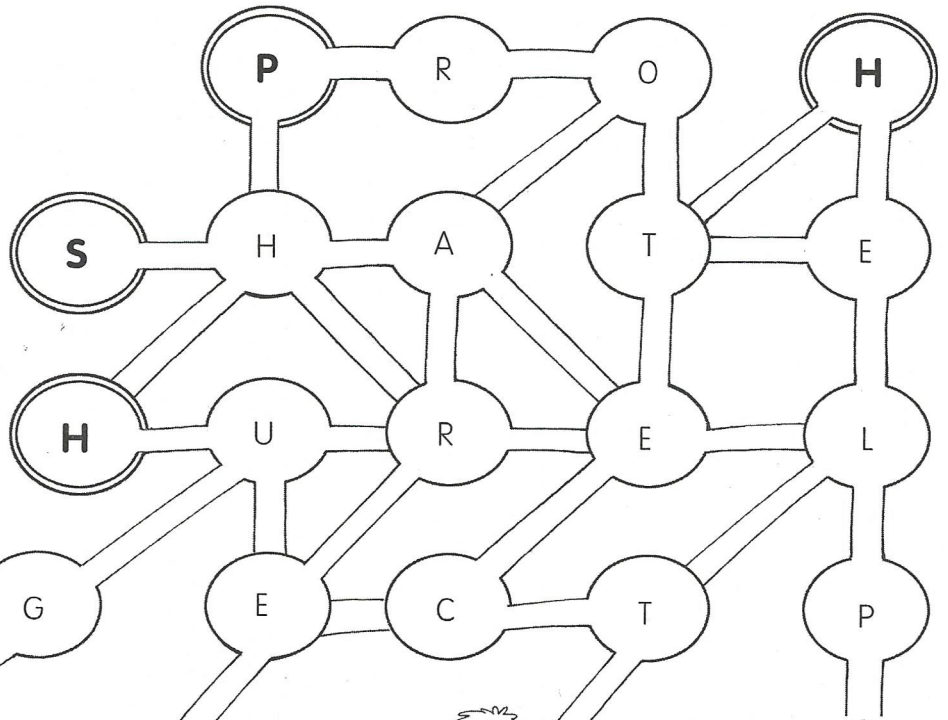
In the Eucharist, _____ becomes Jesus' _____

In the Eucharist, _____

2. How can you manifest your love? Follow the letters and complete the sentences.

Clue: The first letter of each word is bigger than the other ones.

Love one another.



_____ one another.



_____ one another.



_____ one _____